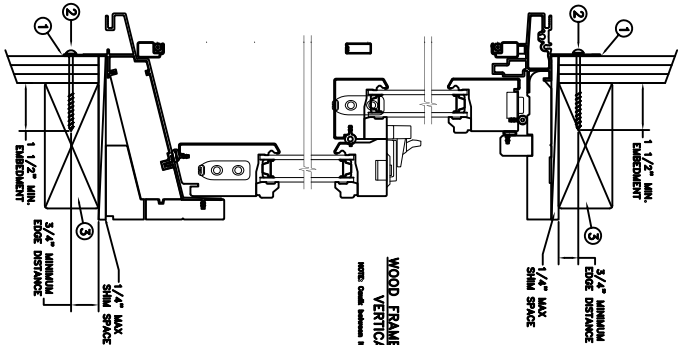
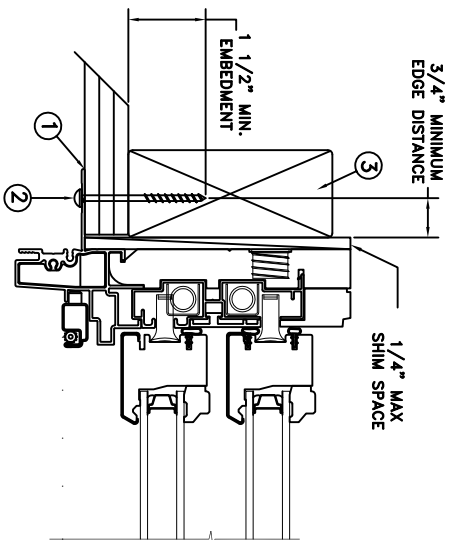


TYPICAL ELEVATION WITH FASTENER SPACING



NAIL FIN INSTALLATION



| | | |
|-------------|---------|--------|
| Max Frame | DP | IMPACT |
| 37 3/8 x 76 | +50/-55 | NO |

Installation Notes:

1. Seal flange/frame to substrate.
2. Use #8 PH or greater fastener through the nailfin on all sides with sufficient length to penetrate a minimum of 1 1/2" into the wood framing. For 2x wood frame substrate (min. S.G. = 0.42)
3. Host structure (wood buck, masonry, steel) to be designed and anchored to properly transfer all loads to the structure. The host structure is the responsibility of the architect or engineer of record for the project of installation.

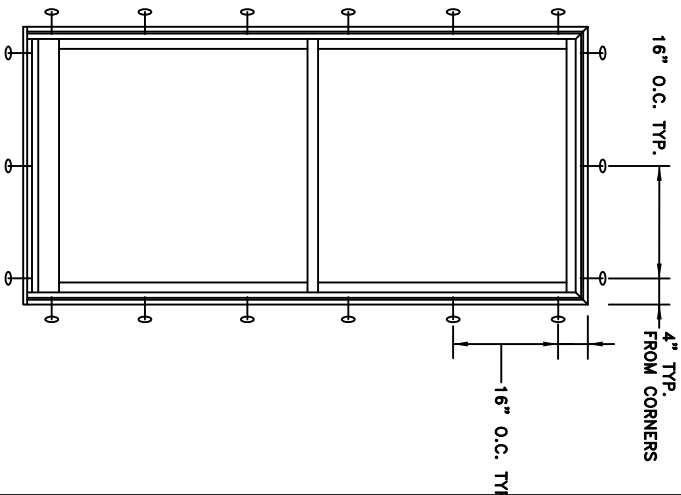
General Notes:

1. The product shown herein is designed, tested and manufactured to comply with the wind load criteria of the adopted International Building Code (IBC), the International Residential Code (IRC), the Florida Building Code (FBC), and the industry requirement for the stated conditions.
2. All glazing shall conform to ASTM E1300.
3. At minimum, glazing shall be double strength annealed insulating glass.
4. Use structural or composite shims where required.

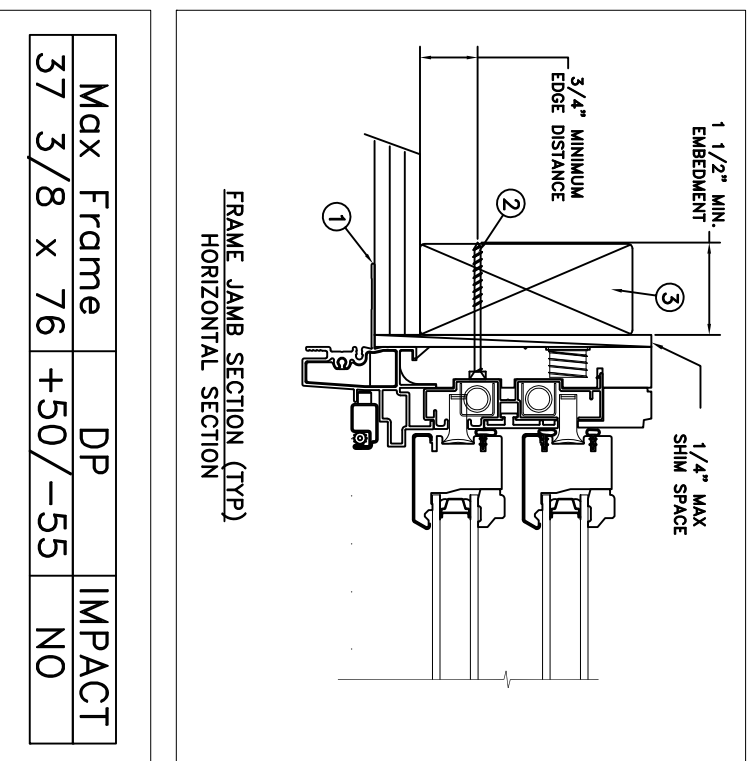
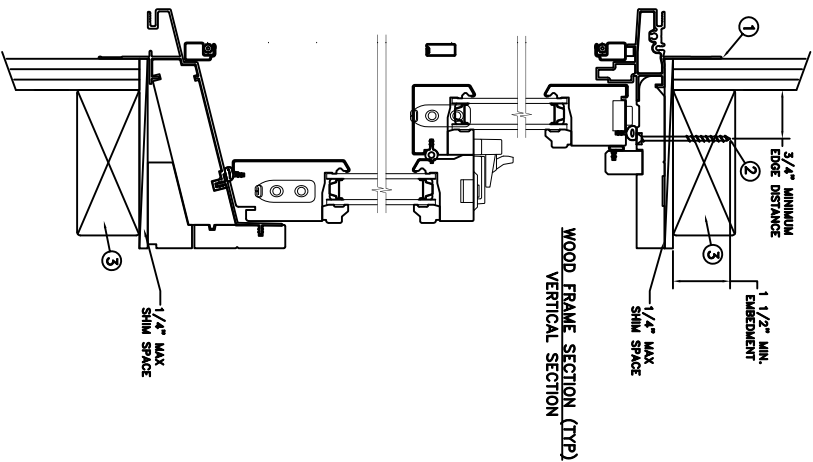
This schedule addresses only the fasteners required to anchor the window to achieve the rated design pressure and impact performance (where applicable) up to the size limitations noted. It is not intended as a guide to the installation process and does not address the sealing consideration that may arise in different wall conditions. For the complete installation procedure, see the instructions packaged with the window or go to www.jeld-wen.com/resources/installation.

DISCLAIMER:
This drawing and its contents are confidential and are not to be reproduced or copied in whole or in part or used or disclosed to others except as authorized by JELD-WEN Inc.

| | | | |
|-------------------|--------|---|--------|
| PROJECT ENGINEER: | DATE: | 3737 LAKEPORT BLVD. | |
| DRAWN BY: | SCALE: | KIAMATH FALLS OR, 97601 | |
| J.HAWKINS | NTS | PHONE: (800) 535-3936 | |
| CHECKED BY: | TITLE: | <p align="center">JELD-WEN</p> <p align="center">Custom Clad Double Hung</p> | |
| C.ABBOTT | | | |
| APPROVED BY: | | | |
| D.STOKES | | PLANT NAME AND LOCATION: | REV: A |
| PART/PROJECT No.: | | CAD DWG. No.: | SHEET |
| D004166 | | CUST/CLDH Gert | |
| IDENTIFIER No.: | | | |



TYPICAL ELEVATION WITH FASTENER SPACING



THROUGH FRAME INSTALLATION

| | | |
|-------------|---------|--------|
| Max Frame | DP | IMPACT |
| 37 3/8 x 76 | +50/-55 | NO |

Installation Notes:

1. Seal flange/frame to substrate.
2. Use #8 PH or greater fastener through the frame with sufficient length to penetrate a minimum of 1 1/2" into the wood framing. For 2x wood frame substrate (min. S.G. = 0.42)
3. Host structure (wood buck, masonry, steel) to be designed and anchored to properly transfer all loads to the structure. The host structure is the responsibility of the architect or engineer of record for the project of installation.

General Notes:

1. The product shown herein is designed, tested and manufactured to comply with the wind load criteria of the adopted International Building Code (IBC), the International Residential Code (IRC), the Florida Building Code (FBC), and the industry requirement for the stated conditions.
2. All glazing shall conform to ASTM E1300.
3. At minimum, glazing shall be double strength annealed insulating glass.
4. Use structural or composite shims where required.

This schedule addresses only the fasteners required to anchor the window to achieve the rated design pressure and impact performance (where applicable) up to the size limitations noted. It is not intended as a guide to the installation process and does not address the sealing consideration that may arise in different wall conditions. For the complete installation procedure, see the instructions packaged with the window or go to www.jeld-wen.com/resources/installation.

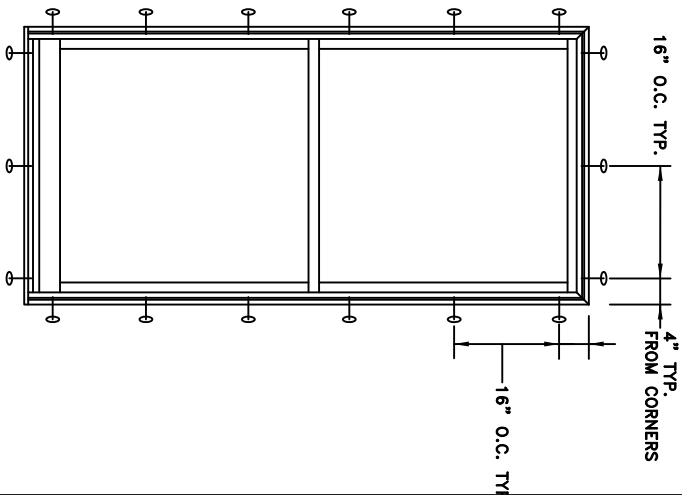
DISCLAIMER:

This drawing and its contents are confidential and are not to be reproduced or copied in whole or in part or used or disclosed to others except as authorized by JELD-WEN Inc.

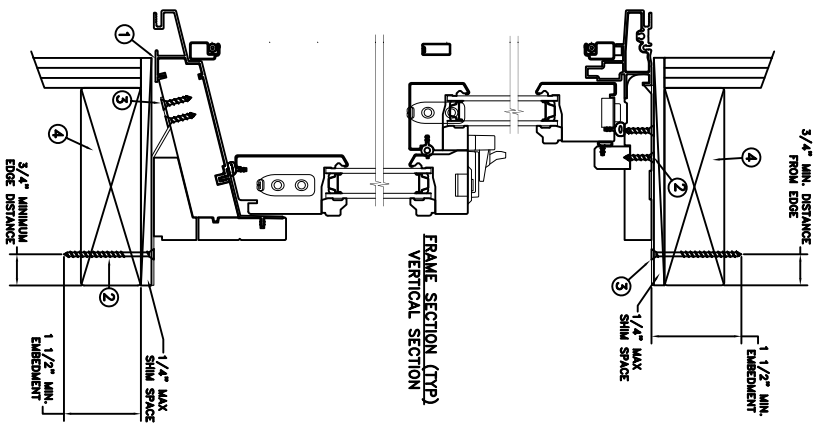
| | | | | |
|-------------------|--------------------------|------------|-------------------------|---------------|
| PROJECT ENGINEER: | DATE: | 02/28/2017 | 3737 LAKEPORT BLVD. | |
| DRAWN BY: | SCALE: | NTS | KIAMATH FALLS OR, 97601 | |
| CHECKED BY: | TITLE: | | PHONE: (800) 535-3936 | |
| J.HAWKINS | | | | |
| C.ABBOTT | | | | |
| APPROVED BY: | | | | |
| D.STOKES | | | | |
| PART/PROJECT No.: | PLANT NAME AND LOCATION: | D004166 | Bend-OR | CAD DWG. No.: |
| IDENTIFIER No.: | | | | CUSTCLDH Cart |
| | | | | REV: A |
| | | | | SHEET |

Custom Clad Double Hung

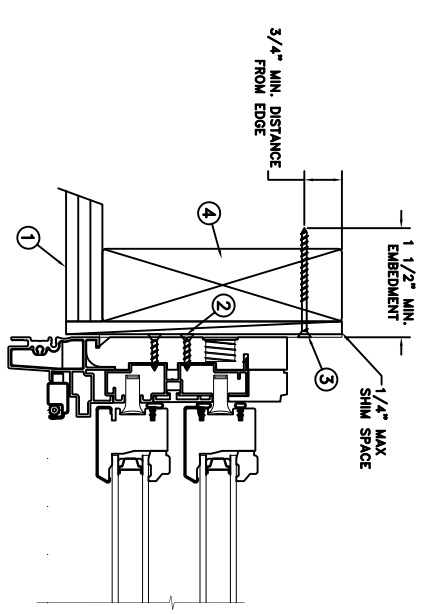
JELD-WEN



TYPICAL ELEVATION WITH FASTENER SPACING



FRAME SECTION (TYP)
VERTICAL SECTION



FRAME JAMB SECTION (TYP)
HORIZONTAL SECTION

MASONRY STRAP
INSTALLATION

| | | |
|-------------|---------|--------|
| Max Frame | DP | IMPACT |
| 37 3/8 x 76 | +50/-55 | NO |

Installation Notes:

1. Seal flange/frame to substrate.
2. Use #8 PFH or larger fasteners through masonry strap with sufficient length to penetrate a minimum of 1 1/2" into the masonry or buck.. For concrete (min. fc = 3000 psi) or masonry substrate (CMU shall adhere to ASTM C90).
3. Use #8 PFH or larger fasteners through masonry strap into jamb without penetrating through the jamb into product causing visibility or collateral damage to product.
4. Host structure (wood buck, masonry, steel) to be designed and anchored to properly transfer all loads to the structure. The host structure is the responsibility of the architect or engineer of record for the project of installation.

General Notes:

1. The product shown herein is designed, tested and manufactured to comply with the wind load criteria of the adopted International Building Code (IBC), the International Residential Code (IRC), the Florida Building Code (FBC), and the industry requirement for the stated conditions.
2. All glazing shall conform to ASTM E1300.
3. At minimum, glazing shall be double strength annealed insulating glass.
4. Use structural or composite shims where required.

This schedule addresses only the fasteners required to anchor the window to achieve the rated design pressure and impact performance (where applicable) up to the size limitations noted. It is not intended as a guide to the installation process and does not address the sealing consideration that may arise in different wall conditions. For the complete installation procedure, see the instructions packaged with the window or go to www.jeld-wen.com/resources/installation.

DISCLAIMER:
This drawing and its contents are confidential and are not to be reproduced or copied in whole or in part or used or disclosed to others except as authorized by JELD-WEN Inc.

| | | | |
|-------------------|--------------------------|--------------|-------------------------|
| PROJECT ENGINEER: | DATE: | 02/28/2017 | 3737 LAKEPORT BLVD. |
| DRAWN BY: | SCALE: | NTS | KLAMATH FALLS OR, 97601 |
| CHECKED BY: | TITLE: | | PHONE: (800) 535-3936 |
| APPROVED BY: | | | |
| D-STOKES | | | |
| PART/PROJECT No.: | PLANT NAME AND LOCATION: | Bend-OR | |
| D004166 | CAD DWG. No.: | CUSTCLDH G&T | |
| IDENTIFIER No.: | REV: | A | SHEET |
| | | | |

JELD-WEN
KIAMATH FALLS OR, 97601
PHONE: (800) 535-3936

Custom Clad Double Hung